

VAPBOX 300

> DLI* CVD & ALD Vaporizer

High Performance, Compact, Precise, Innovative liquid and solid precursors Delivery and Vaporization System for ALD, CVD, MOCVD, PECVD, MLD and all gas phase processes.

The **VAPBOX 300** vaporizes pure liquid compounds and solid ones dissolved in a carrier liquid (organic solvent) up to 220°C.

The **VAPBOX 300** is able to handle and vaporize most of solid and liquid compounds including low vapor pressure, thermally labile and viscous ones.

The **VAPBOX 300** provides high and unmatched performances based on a pulsed injection of a mixture of liquid and carrier gas. That pulsed injection is performed by a proprietary Injection Head (atomizer) and allows a very fine atomization of the liquid to be vaporized. The liquid is flash vaporized and the generated vapors can be used for the synthesis by ALD and CVD of thin films, multilayers structures, nanoparticles and nano-objects of numerous complex functional materials such as for instance multi-metallic oxides (high-k dielectrics, magnetic and superconducting materials, ferroelectrics, piezoelectrics), various chalcogenides (PCRAM and CIS/CIGS photovoltaic materials) and transparent conductive oxides (TCO).

Because of its unique proprietary way to deliver and atomize the liquid inside the vaporizer the **VAPBOX 300** is able to achieve a real non-contact flash vaporization therefore generating particle free vapors.

Indeed, the blasting of the carrier gas/liquid mixture inside the vaporizer allows generating an aerosol of droplets around 10 microns in diameter. Such very small droplets can be easily flash vaporized. Competitors' vaporizers are generating bigger liquid droplets that cannot be flash vaporized and clog the vaporizer.

The **VAPBOX 300** operates from vacuum to atmospheric pressure.

Thanks to delivering of accurate and stable liquid flows, the **VAPBOX 300** delivers accurate and stable vapor flows.

*DLI = Direct Liquid Injection



> Technical specifications

Injection Head (liquid inlet)

> 1

ICU (Injection Control Unit)

> 24 VDC or 110-230 VAC remote and rackable 19" 2U unit

Heating:

> 1 heating zone, up to 220°C, 400 W

> 2 K type thermocouples: (1 for control, 1 for alarm)

Fittings:

> 1/8" compression type or 1/8" VCR male fitting for liquid inlet

> 1/4" VCR female fitting for carrier gas inlet

> 1/2" VCR male fitting for vapor outlet

Versions:

> 230 VAC version and 115 VAC version

Accessories:

> Liquid flow controlling kit including a Liquid Flow Meter (LFM)

> Liquid panel including a precursor tank and with an optional solvent tank

> Carrier gas panel including a carrier gas Mass Flow Meter (MFM)

> TCU (Temperature Control Unit): 19" remote and rackable 3U unit

Flows range:

> Typical carrier gas flow range = 150 to 5000 sccm

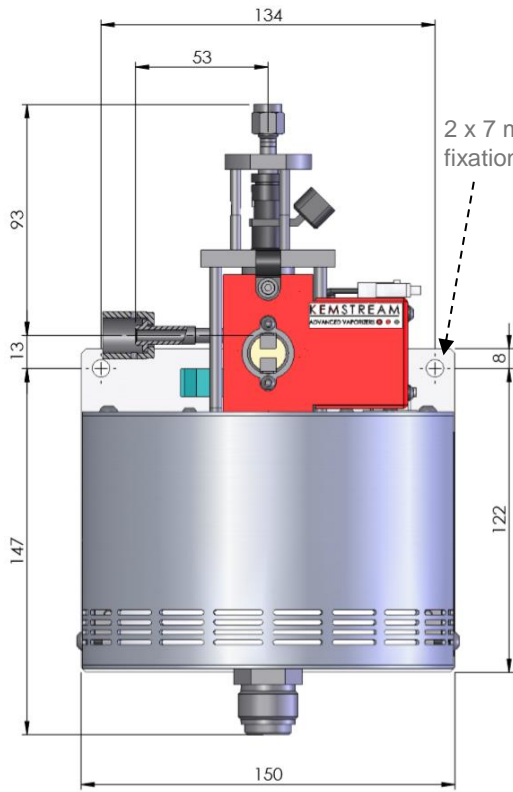
> Typical liquid flow range = 0.1 to 10 g/min

US patent pending and patents pending in other countries

www.kemstream.com

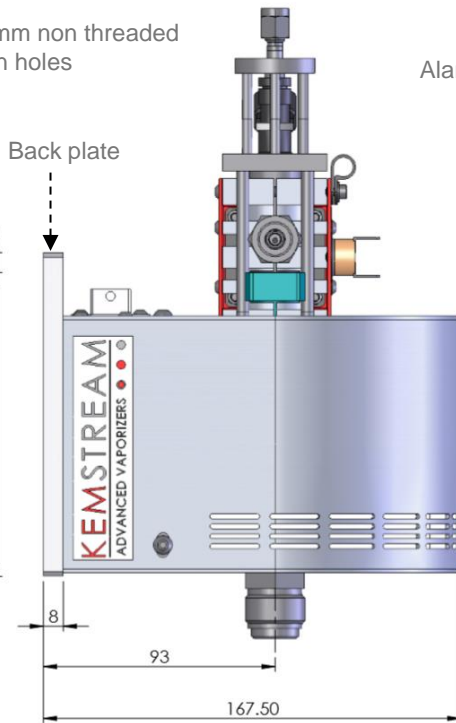
KEMSTREAM
ADVANCED VAPORIZERS

> Dimensions (mm)

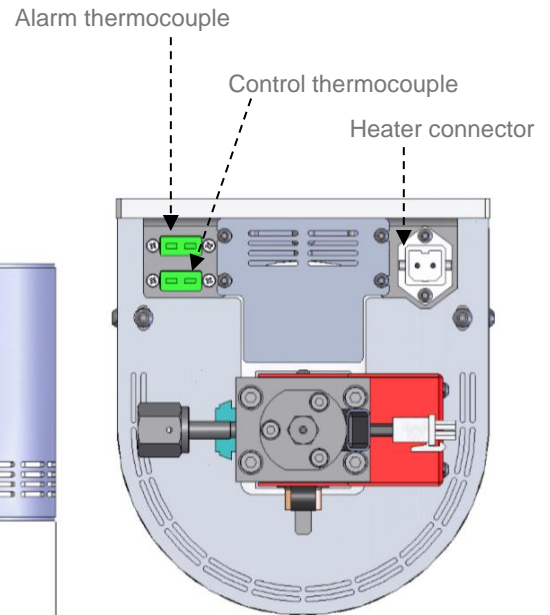


Front view

The back plate also features 4 threaded holes for fixation to a frame



Side view



Top view

Total weight is about 6 kg

> Ordering information

Injection Head

HB4 - S2V F4 H

Liquid inlet fitting

S2V	1/8" Swagelok
M2V	1/8" VCR male

Carrier gas inlet fitting

F4	1/4" VCR female (standard)
M4	1/4" VCR male
S4	1/4" Swagelok
T4	1/4" OD tube

Carrier gas inlet direction

H	Horizontal (standard)
V	Vertical

Vaporizer

V03 HB M8 V

Voltage (for heating)

HB	230 VAC
LB	115 VAC

Vapor outlet fitting

M8	1/2" VCR male (standard)
M4	1/4" VCR male
K1	KF16 mm
	other fittings upon request

Vaporizer pressure (process P)

V	from 0 to 1.5 bara
A	above 1.5 bara

For ordering information about the ICU (Injection Control Unit), please see the datasheet of the ICU

KEMSTREAM, 139 Rue des Walkyries, 34000 Montpellier, FRANCE
Tel: +33.467.200.410 Fax: +33.467.200.411 Email: info@kemstream.com